

**TATA MOTORS**  
Connecting Aspirations



# TATA PRIMA 4738.K



# TECHNICAL SPECIFICATIONS

## MODEL

PRIMA 4738.K

## ENGINE

### Model

CUMMINS 8.9L ISLe 375 Euro-III

### Max. Power

370 BHP @ 2100 r/min

### Max. Torque

1550 Nm @ 1200-1400 r/min

## CLUTCH

430 mm Single Plate Dry Friction Type

## GEARBOX

### Type

Eaton ES150409 - 9 Speed

### Crawler

14.39

### FGR

10.04

### TGR

1

### Reverse

14.41

## FRONT AXLE

I Beam - 7.5TX 2

## REAR AXLE

RA 210 HRT

### RAR

7.246

### RAW

F-16, R-16

## CHASSIS

### Dimensions (mm)

320X90X8

### Frame Width (mm)

F-950, R-850

### Fuel Tank

260 L

## SUSPENSION

### Front

Parabolic Leaf Spring

### Rear

48T-Two Spring Balance Beam Bogie with Semi-elliptic Multi-Leaf Rubber Mounted Springs, Torque Rods and V Rods at Rear

## BRAKES

### Type

Full Air Dual Circuit -S Cam with ABS & Auto Slack Adjuster

### Brake Drum Dia (mm)

410x220

### Auxiliary Braking System

Engine Level Jake Brake

## WHEELS & TYRES

### Tyre size

12R24

### Wheel Rim

8.50-24

## CABIN

Prima 4 Point Suspended Day Cab

### Drive

8x4, LHD

### AC

HVAC

## DIMENSIONS (mm)

### Wheel Base

5250

### Front Track

2052

### Rear Track

1900

### TCD

22274

### TCCD

23750

### Ground Clearance

353

### Overall Length

8488

### Overall Width

2590

### Overall Height

3232

## TIPPER BODY

### Box Body Option (CBM)

23 & 25

### Rock Body Option (CBM)

19

## PERFORMANCE

### Max. Gradeability

49% (@ 1<sup>st</sup> Gear)

### Max. Gradeability

74% (@ Crawler Gear)

### Top Speed

66 kmph

## WEIGHTS (KGS)

### Max. GCW

36000

### Max. FAW

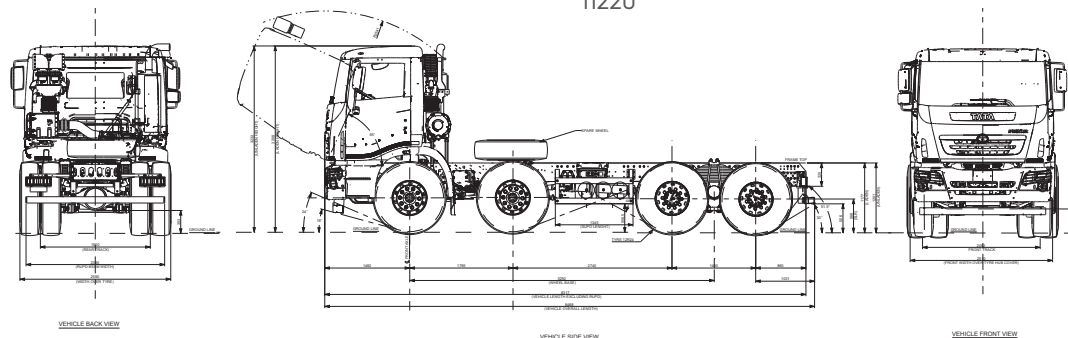
15000

### Max. Raw

21000

### Tare Weight

11220



For more information, please contact:

International Business - Commercial Vehicles, A Block, Shiv Sagar Estate, Dr. Annie Besant Road, Worli, Mumbai, Maharashtra - 400 018, India.

Tel.: 91 22 67577200 | Fax: 91 22 67577225 | Website: [www.tatamotors.com](http://www.tatamotors.com)